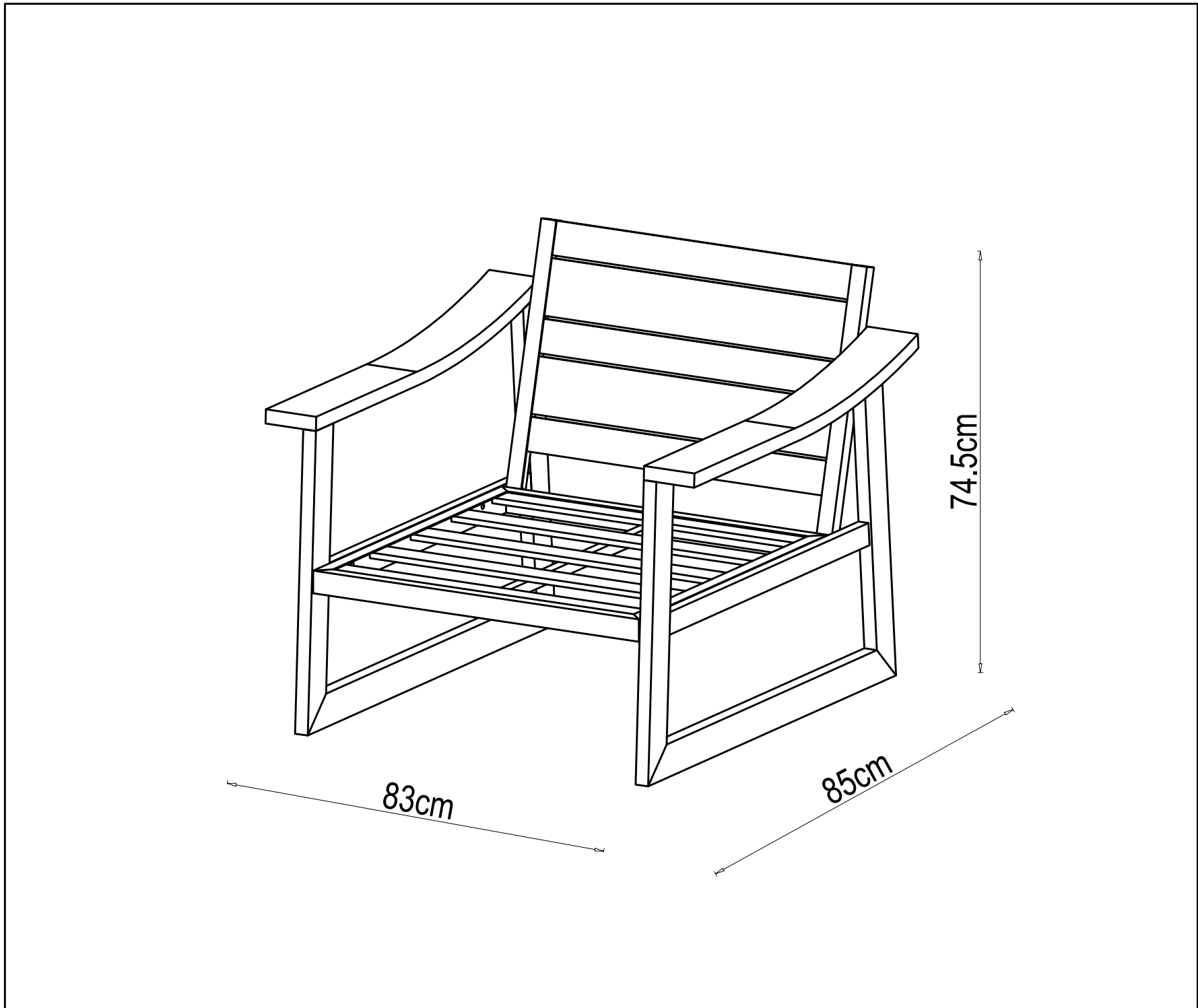


# Amart

ASSEMBLY INSTRUCTION

ZARIAH - 4 PCE OUTDOOR LOUNGE SETTING

ITEM CODE - 72305

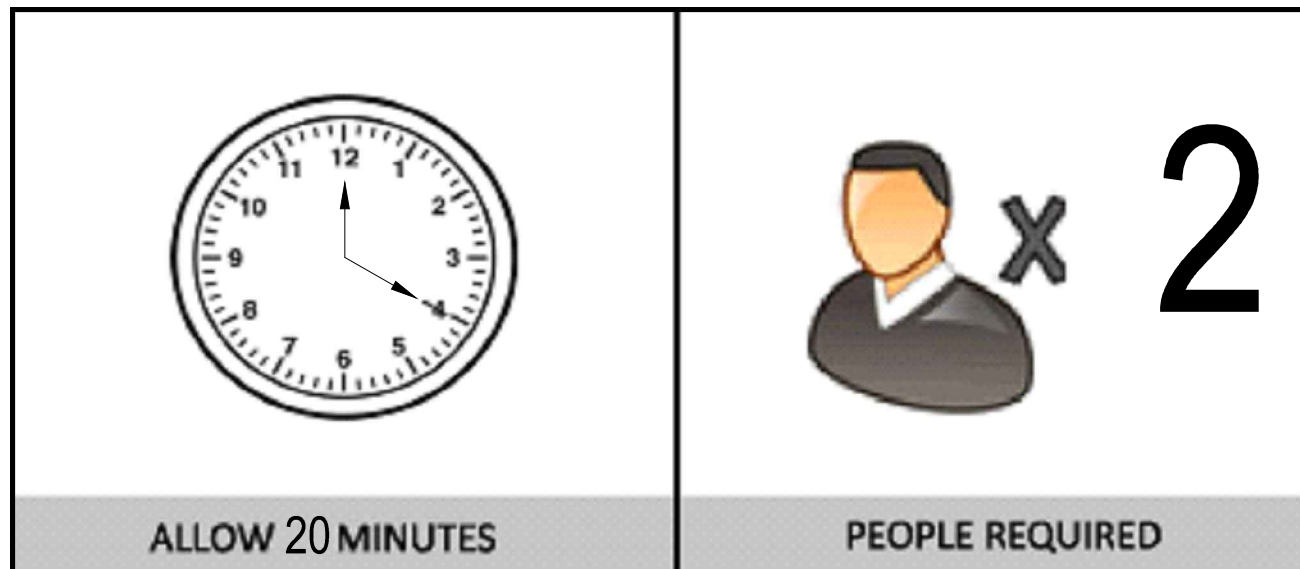


Imported by Amart Furniture Pty Ltd, Qld, Brisbane Australia .  
For any assistance with assembly or for missing parts please phone  
Amart Furniture, Customer Service Freecall 1800 351 084

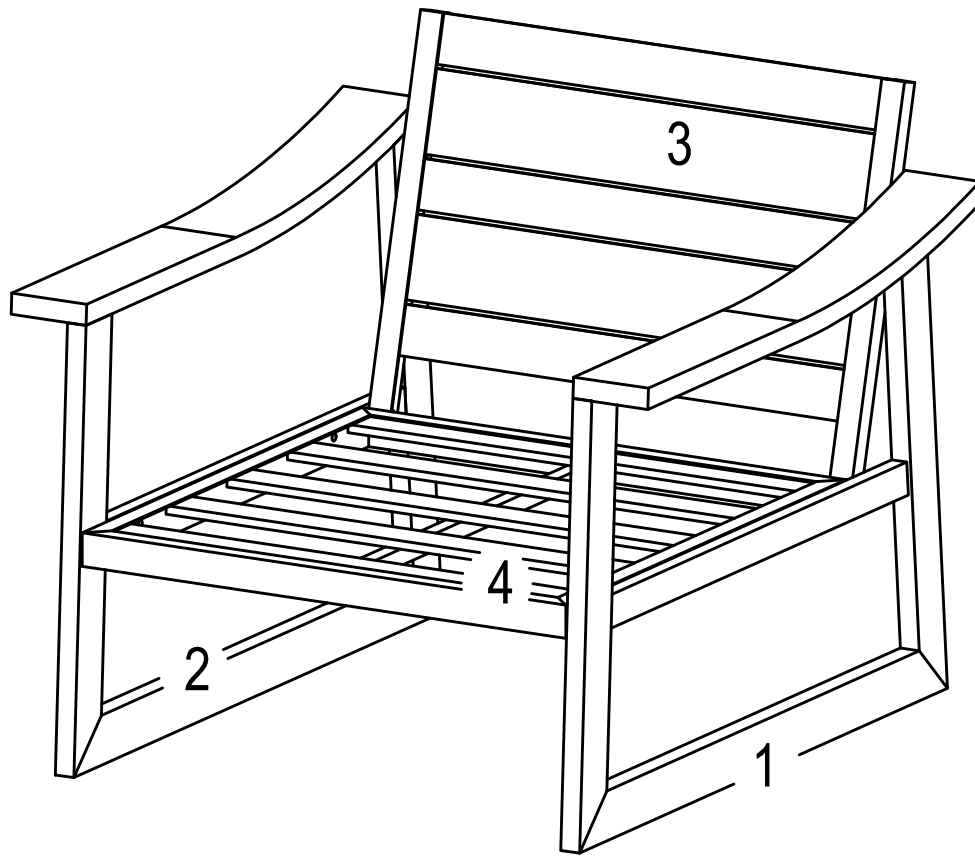
## PRE-ASSEMBLY PREPARATION

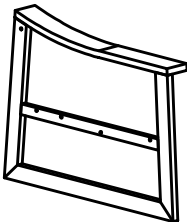
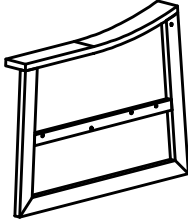
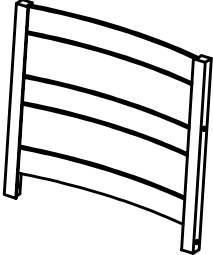
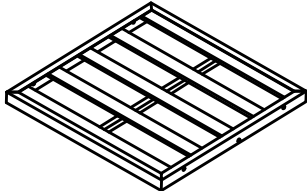
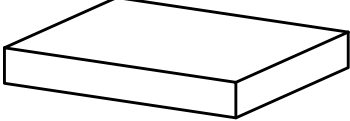
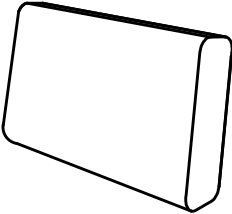
### Before you start:

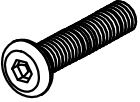
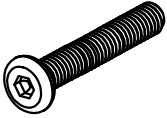
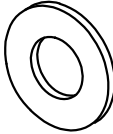
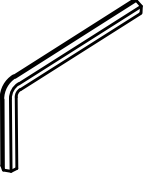
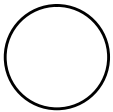
1. Choose a clean, level, spacious assembly area. Avoid hard surfaces that may damage the product.
2. Take care when lifting. Product should be assembled as near as possible to the point of use.
3. Ensure that you have all required contents for complete assembly.
4. Always read the assembly instructions carefully before beginning assembly.
5. Keep all hardware parts and packaging out of reach of small children.
6. Do not over tighten the screws and bolts as this may damage the threads.



# PARTS LIST

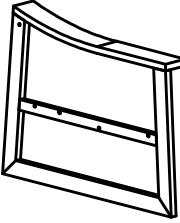
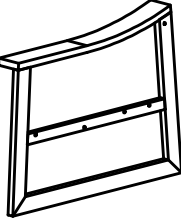
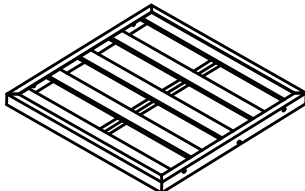

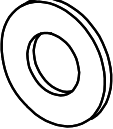
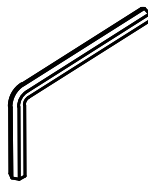


1. Left arm		2PCS	2. Right arm		2PCS
3. Backrest		2PCS	4. Seat		2PCS
5. Cushion		2PCS	6. Back Cushion		2PCS

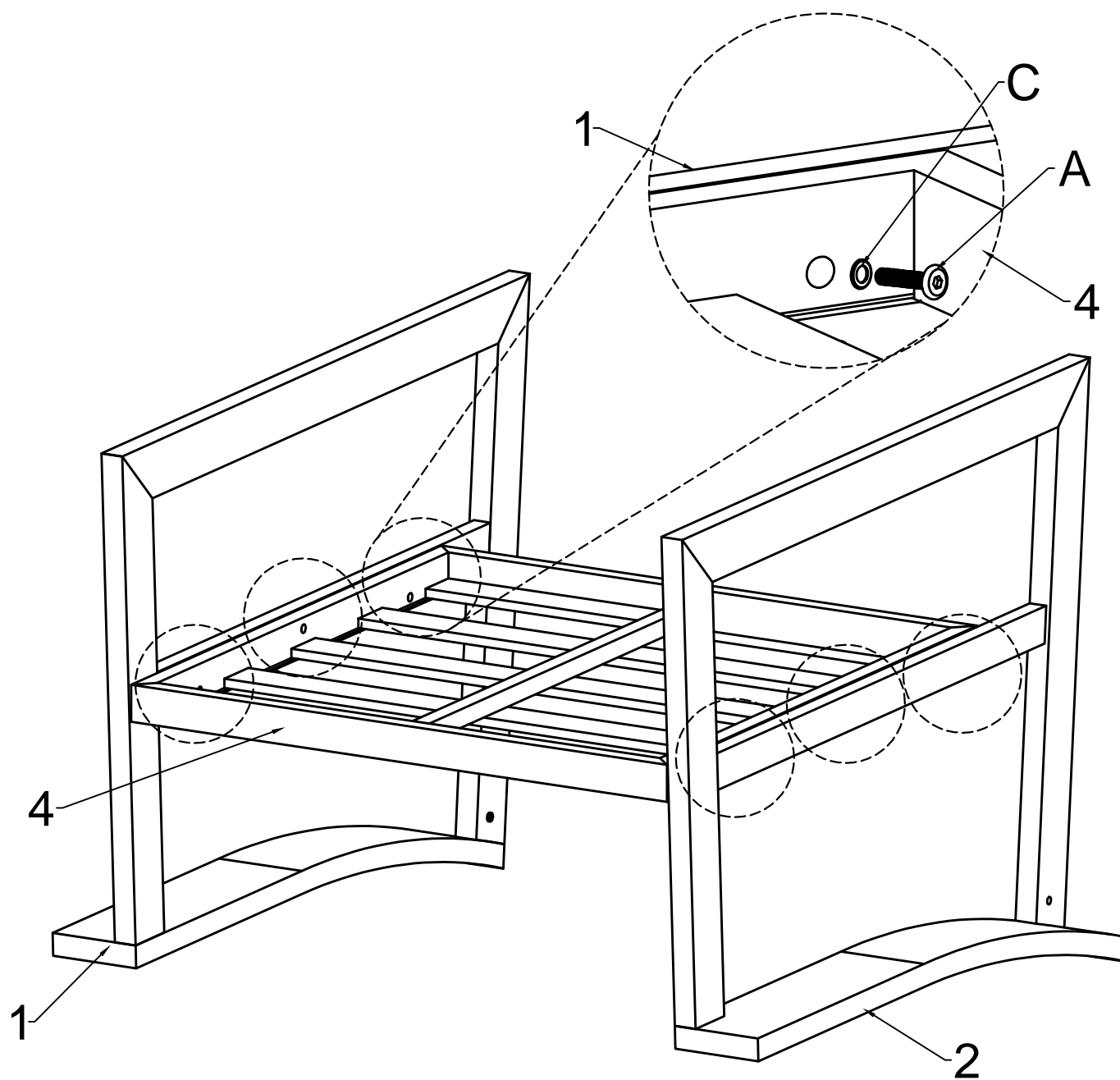
A. Bolt  M6*35*12PCS	B. Bolt  M6*40*8PCS	C. Washer  M6*20PCS	D. Allen Key  M6*1PC
E. Protective Pad  8PCS			

# Step 1:

## ITEMS REQUIRED

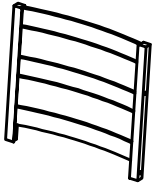

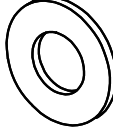
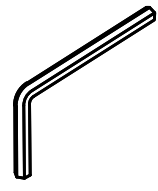
1. Left arm 1PC 	2. Right arm 1PC 	4. Seat 1PC 
A. Bolt  M6*35*6PCS	C. Washer  M6*6PCS	D. Allen Key  M6*1PC

- Attach left arm (1) and right arm (2) to seat (4) using bolt (A) with washer (C) .
- Insert all bolts before fully tightening with allen key (D).

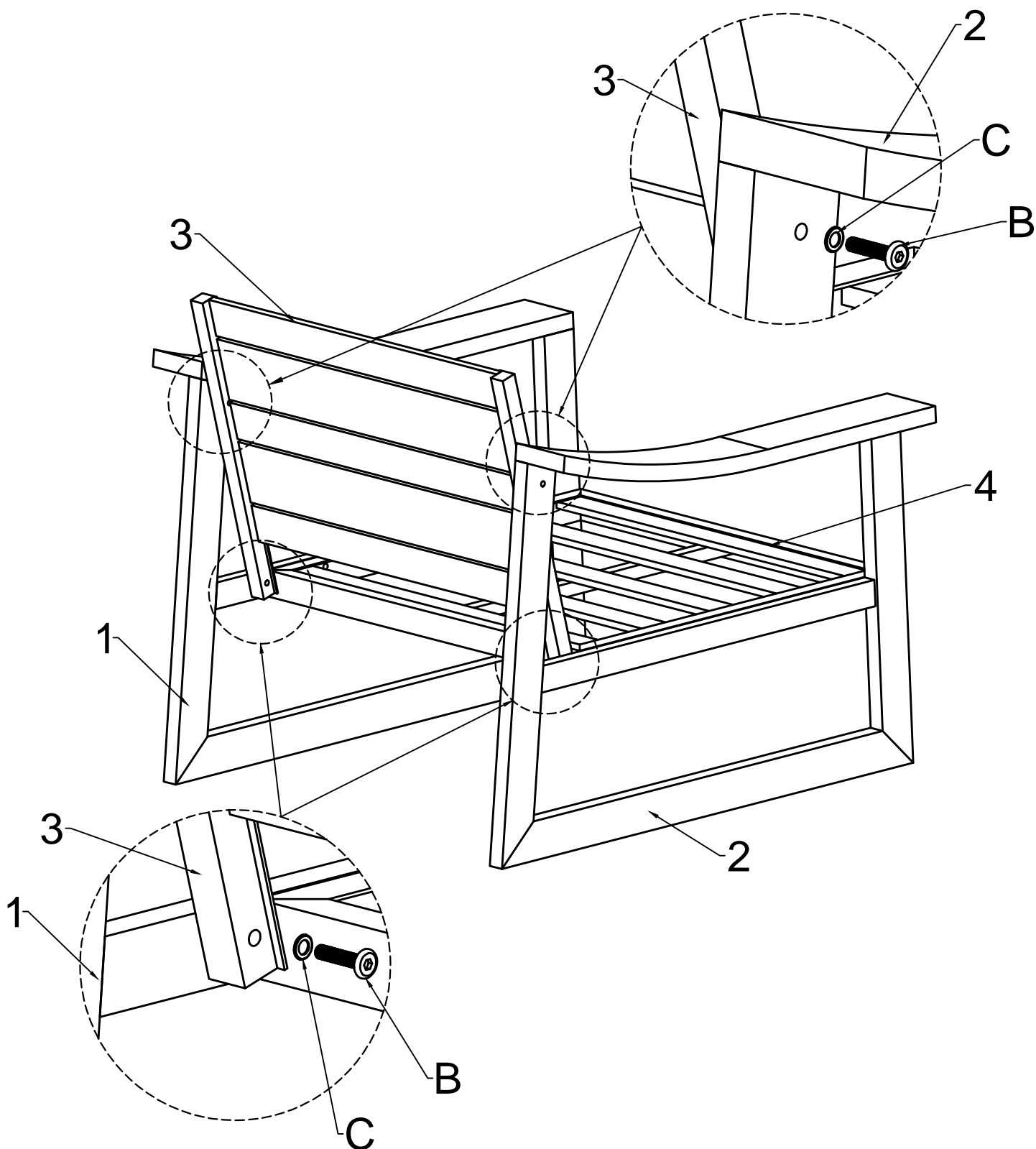


# Step 2:

## ITEMS REQUIRED

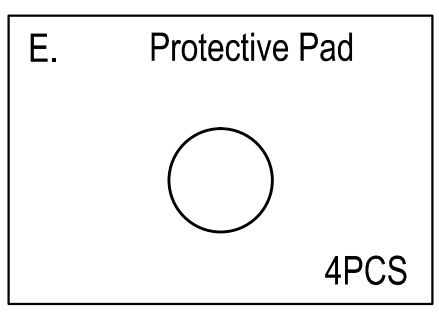
	3. Backrest 1PC 	
B. Bolt  M6*40*4PCS	C. Washer  M6*4PCS	D. Allen Key  M6*1PC

- Attach backrest (3) to left arm (1) and right arm (2) using bolt (B) with washer (C) .
- Insert all bolts before fully tightening with allen key (D).

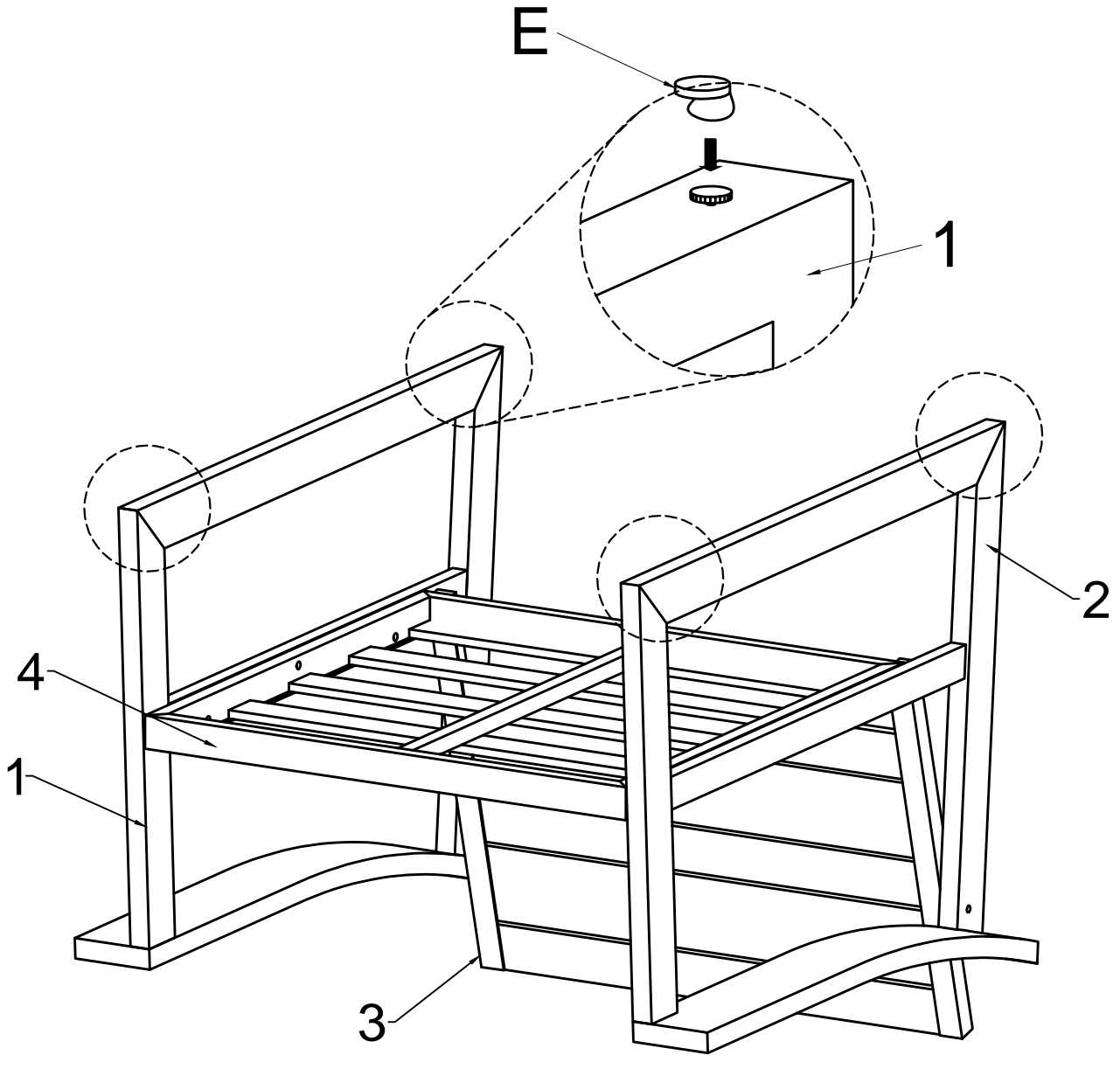


# Step 3:

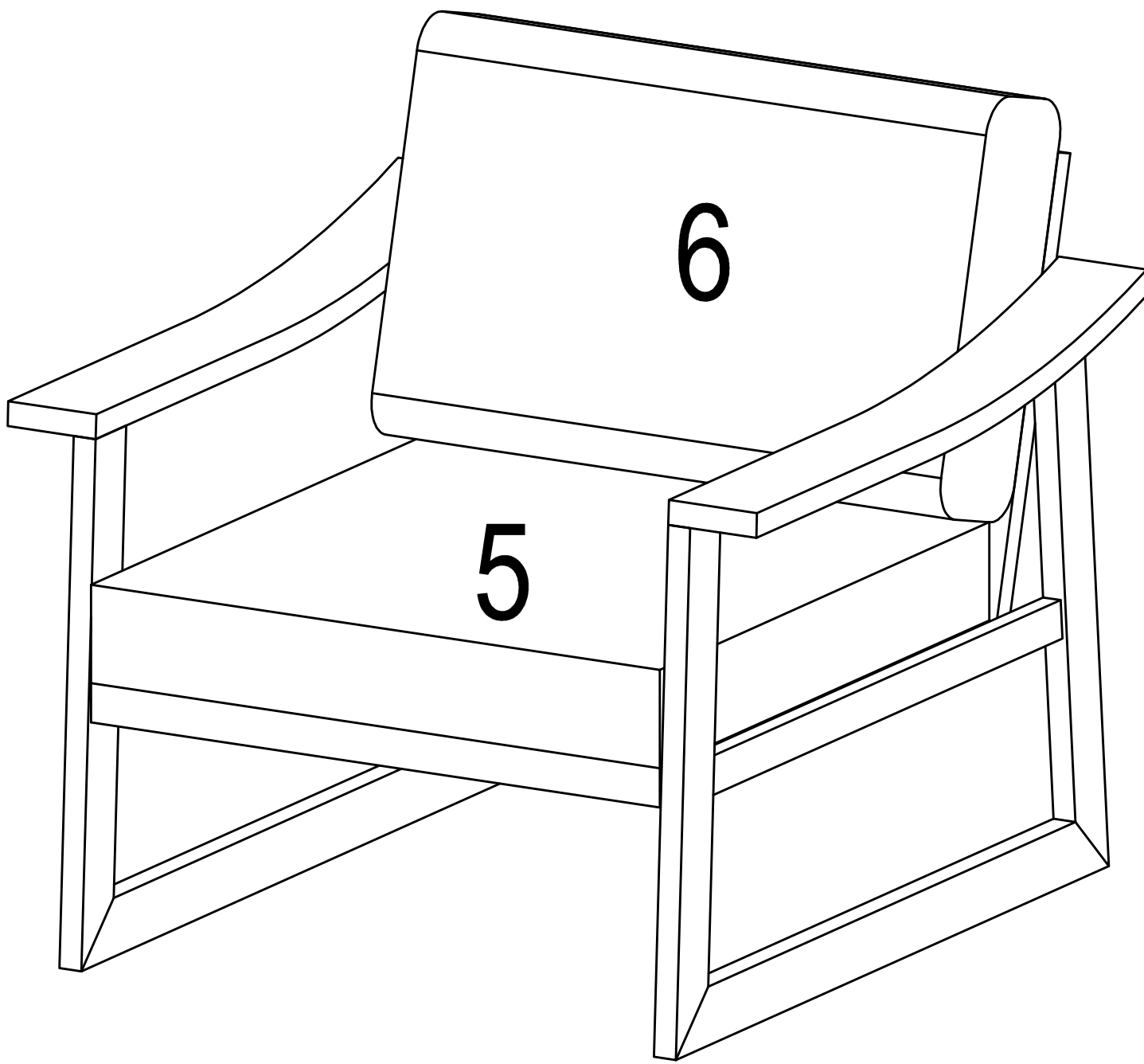
## ITEMS REQUIRED

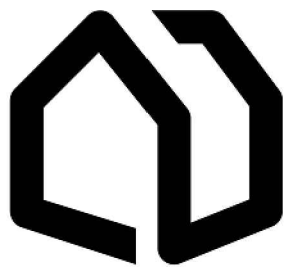


- Last attach the protective pad (E) under the adjusting knob.



**ASSEMBLY IS COMPLETE**



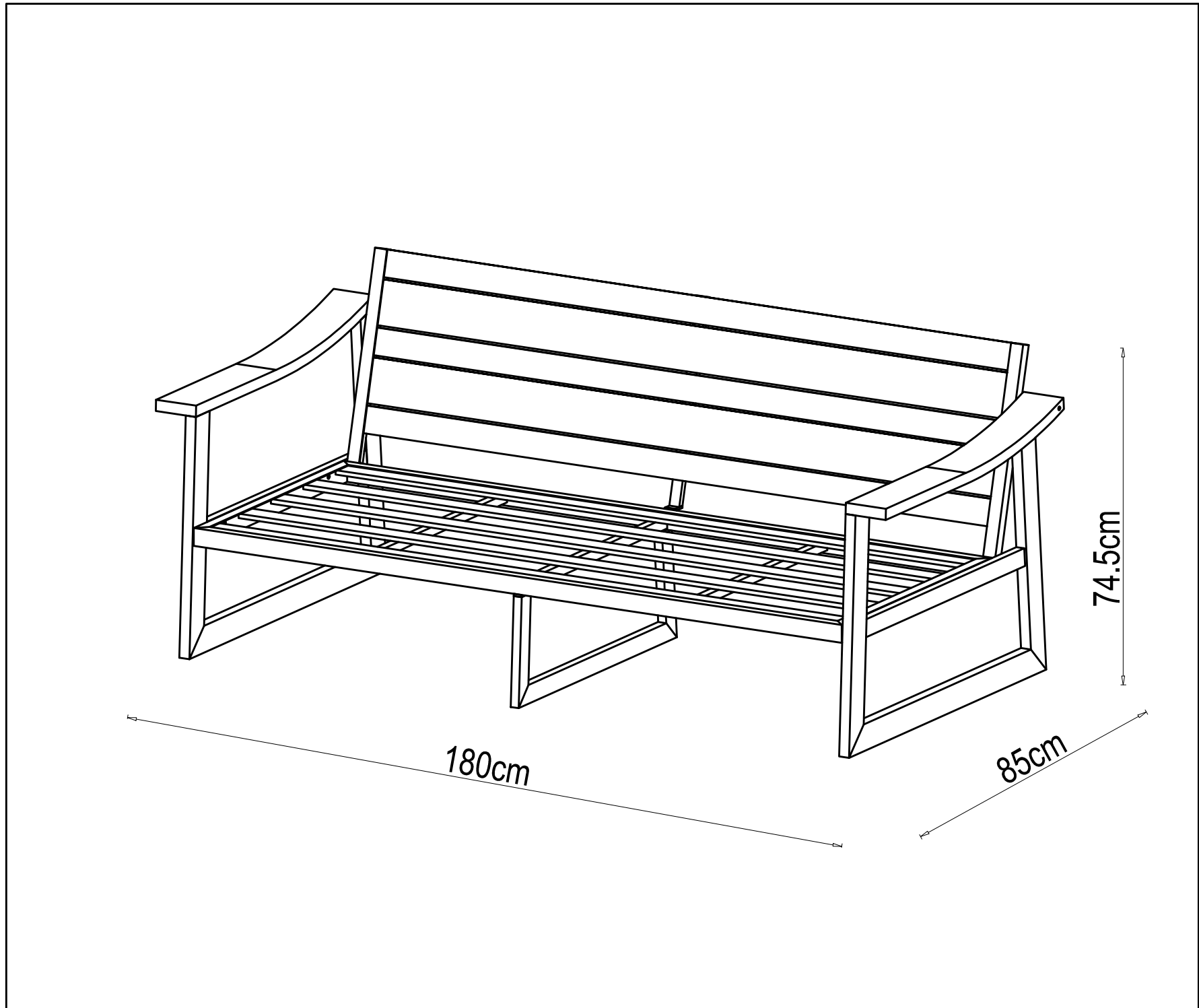


# Amart

ASSEMBLY INSTRUCTION

ZARIAH - 4 PCE OUTDOOR LOUNGE SETTING

ITEM CODE - 72305



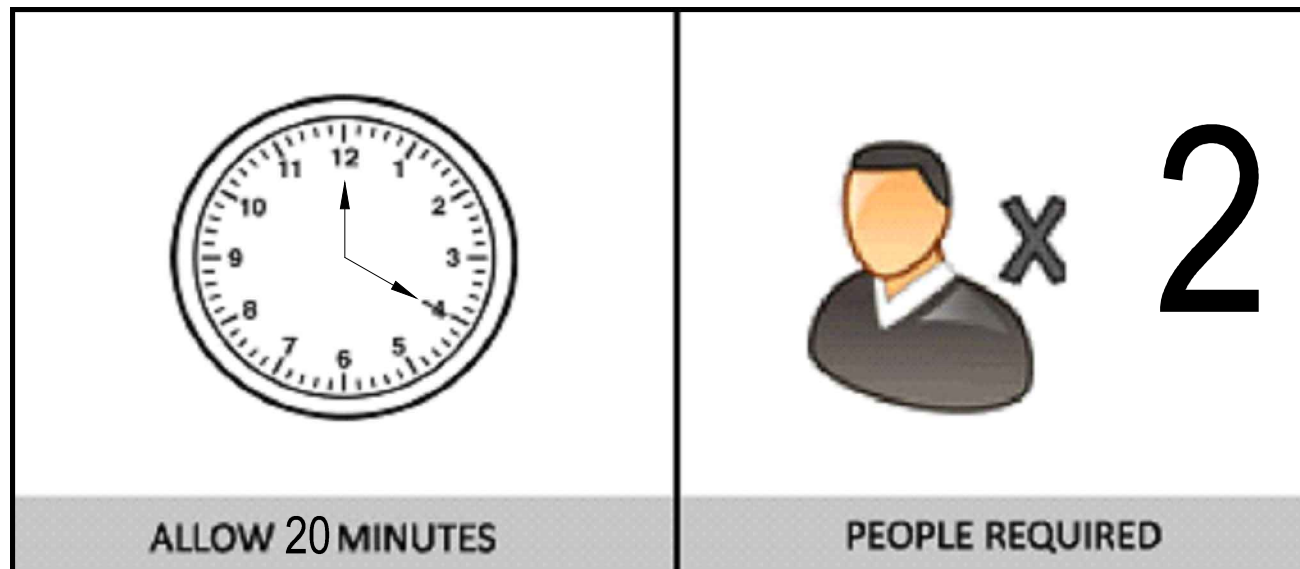
Imported by Amart Furniture Pty Ltd, Qld, Brisbane Australia .  
For any assistance with assembly or for missing parts please phone  
Amart Furniture, Customer Service Freecall 1800 351 084



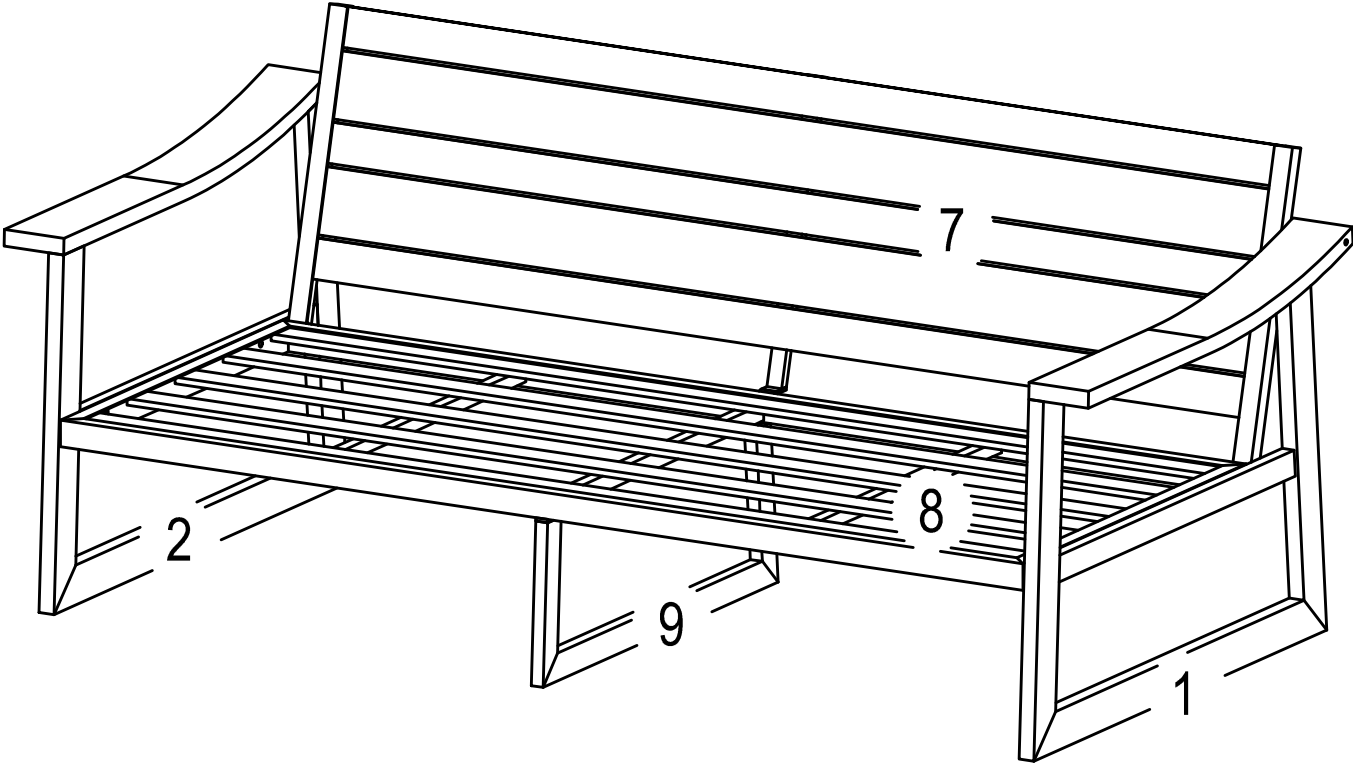
## PRE-ASSEMBLY PREPARATION

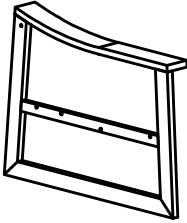
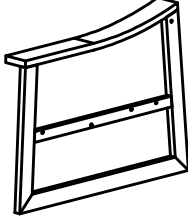
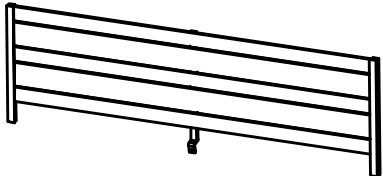
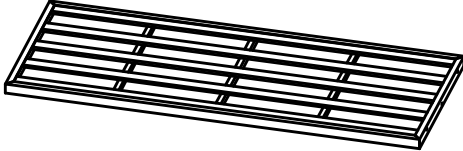

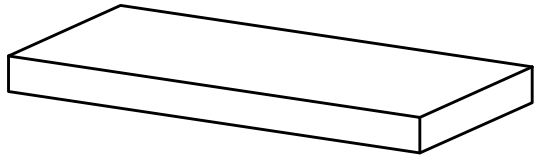
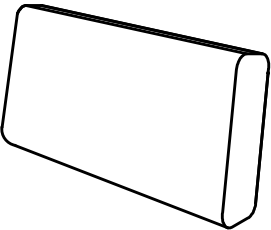

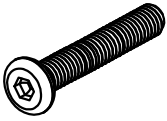

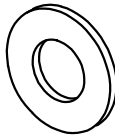
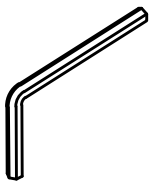
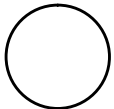
### Before you start:

1. Choose a clean, level, spacious assembly area. Avoid hard surfaces that may damage the product.
2. Take care when lifting. Product should be assembled as near as possible to the point of use.
3. Ensure that you have all required contents for complete assembly.
4. Always read the assembly instructions carefully before beginning assembly.
5. Keep all hardware parts and packaging out of reach of small children.
6. Do not over tighten the screws and bolts as this may damage the threads.



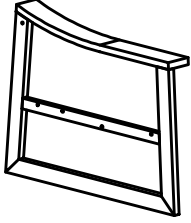
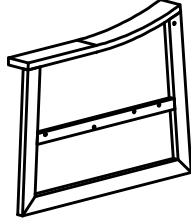
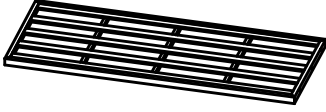

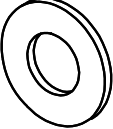
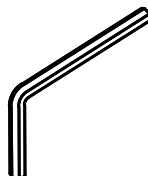
# PARTS LIST



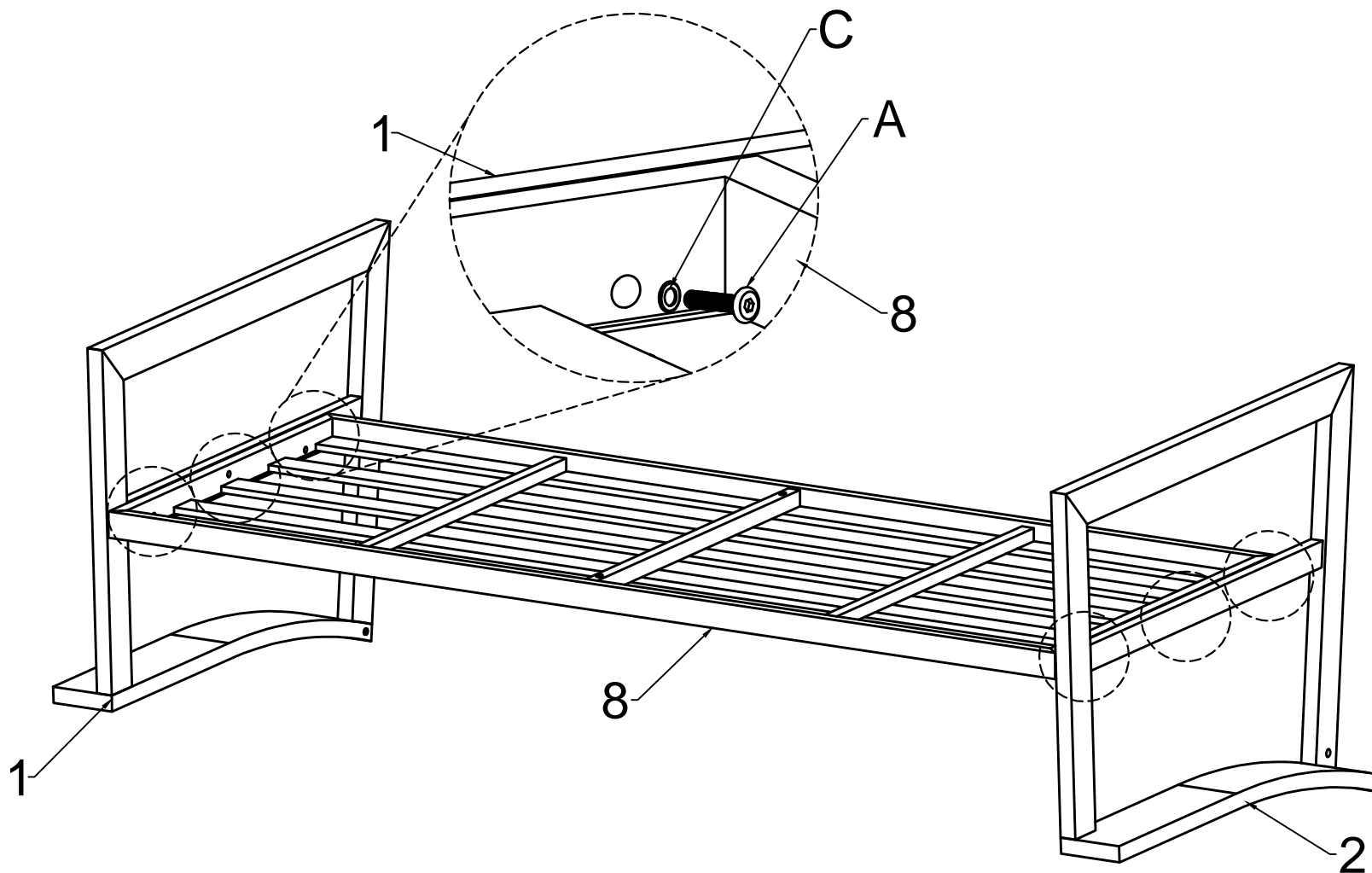
<p>1. Left arm</p>  <p>1PC</p>	<p>2. Right arm</p>  <p>1PC</p>		
<p>7. Backrest</p>  <p>1PC</p>	<p>8. Seat</p>  <p>1PC</p>		
<p>9. Leg</p>  <p>1PC</p>	<p>10. Cushion</p>  <p>1PC</p>		
<p>11. Back Cushion</p>  <p>2PCS</p>			
<p>A. Bolt</p>  <p>M6*35*6PCS</p>	<p>B. Bolt</p>  <p>M6*40*4PCS</p>	<p>F. Bolt</p>  <p>M6*20*3PCS</p>	<p>C. Washer</p>  <p>M6*13PCS</p>
<p>D. Allen Key</p>  <p>M6*1PC</p>	<p>E. Protective Pad</p>  <p>6PCS</p>		

# Step 1:

## ITEMS REQUIRED

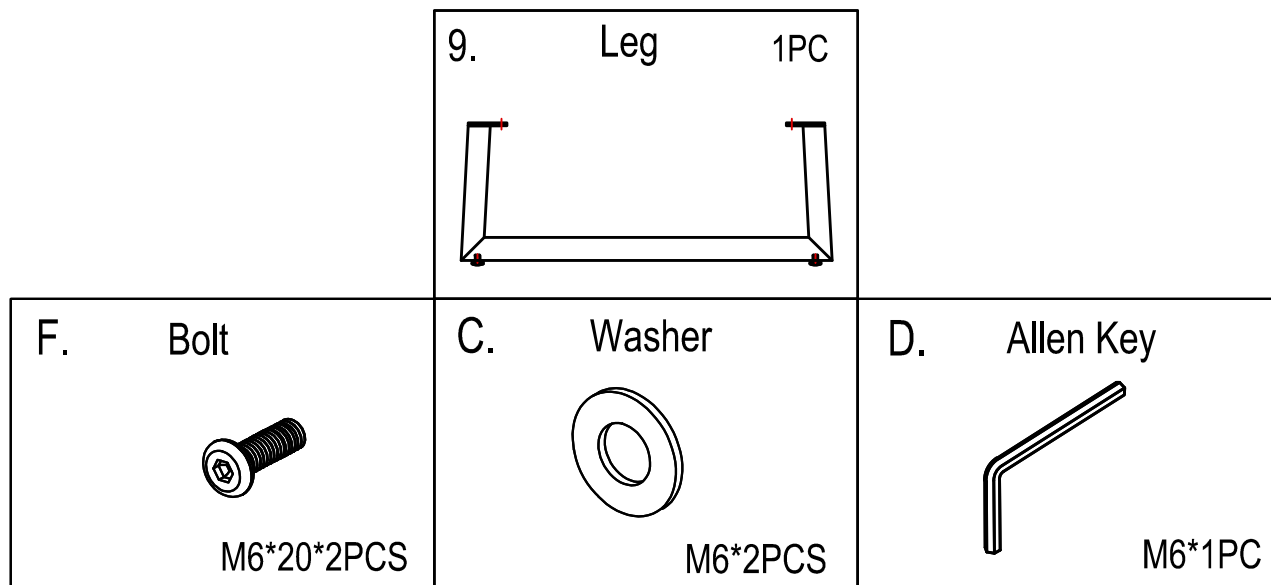
1. Left arm 1PC 	2. Right arm 1PC 	8. Seat 1PC 
A. Bolt  M6*35*6PCS	C. Washer  M6*6PCS	D. Allen Key  M6*1PC

- Attach left arm (1) and right arm (2) to seat (8) using bolt (A) with washer (C) .
- Insert all bolts before fully tightening with allen key (D).

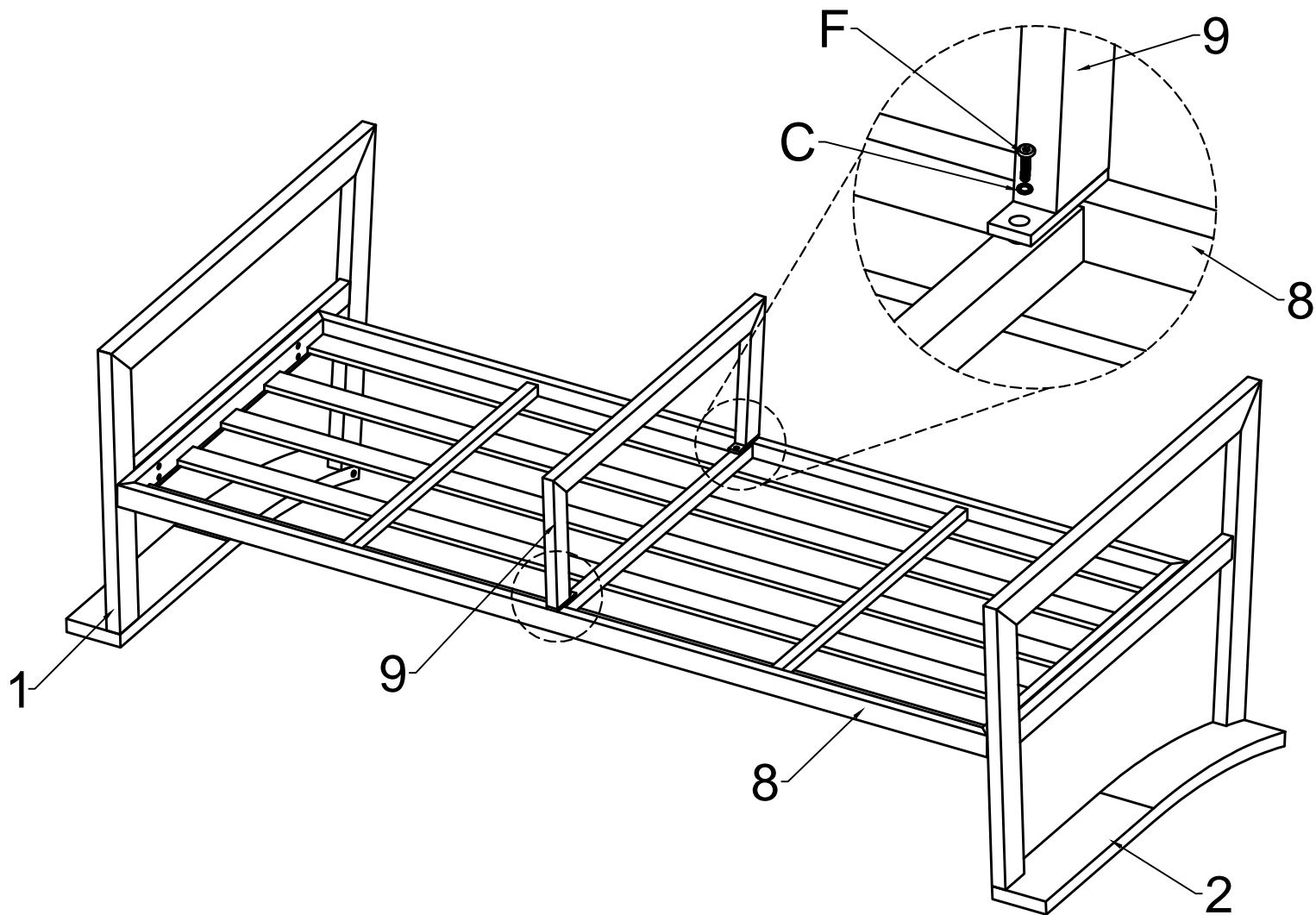


# Step 2:

## ITEMS REQUIRED

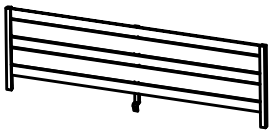
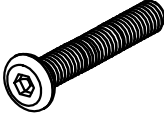
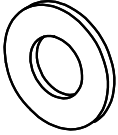
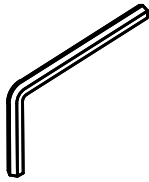


- Attach Leg (9) to seat (8) using bolt (F) with washer (C) .
- Insert all bolts before fully tightening with allen key (D).

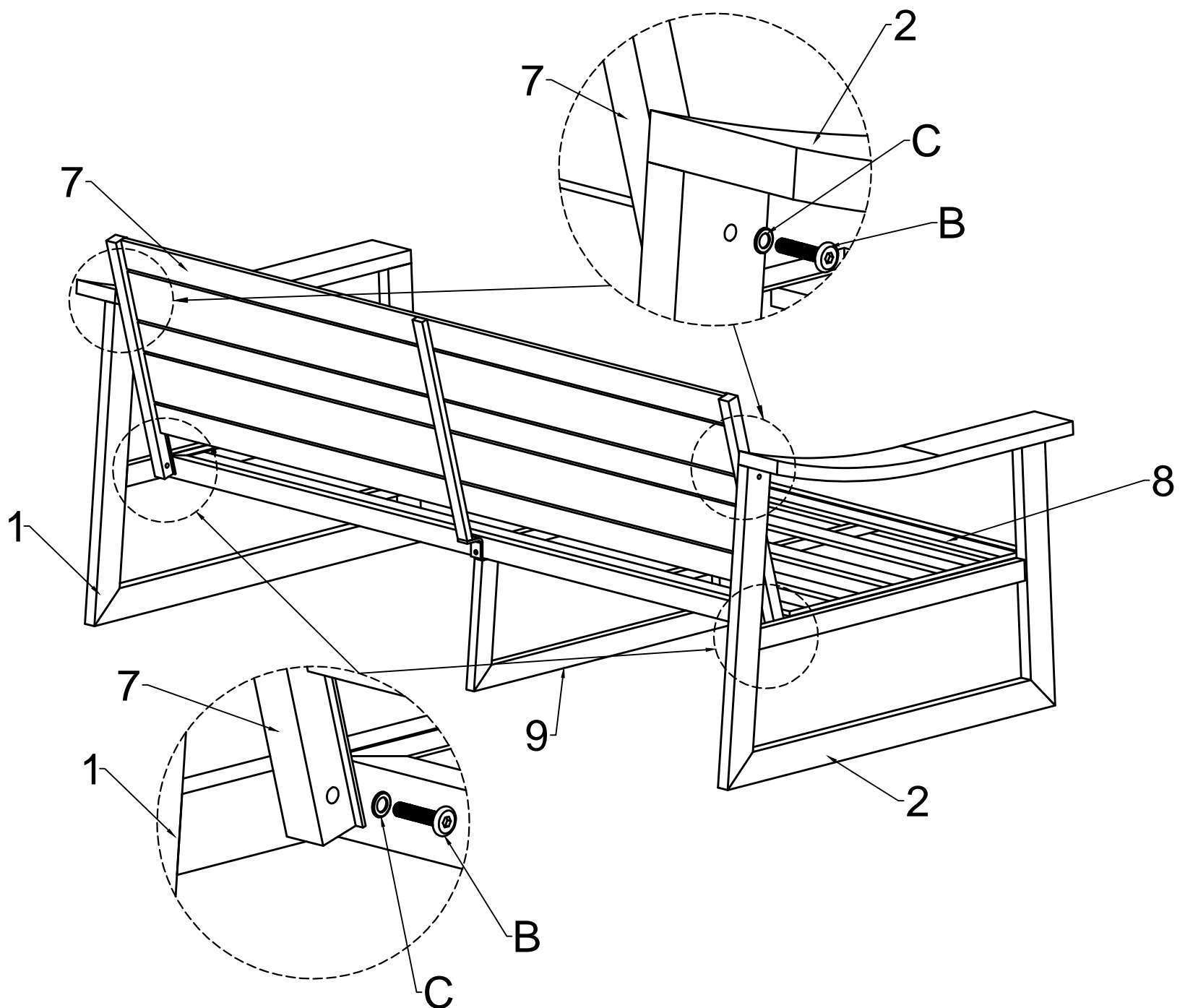


# Step 3:

## ITEMS REQUIRED


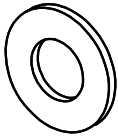
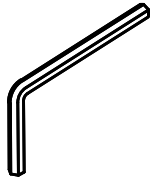
7. Backrest 1PC 		
B. Bolt  M6*40*4PCS	C. Washer  M6*4PCS	D. Allen Key  M6*1PC

- Attach backrest (7) to left arm (1) and right arm (2) using bolt (B) with washer (C) .
- Insert all bolts before fully tightening with allen key (D).

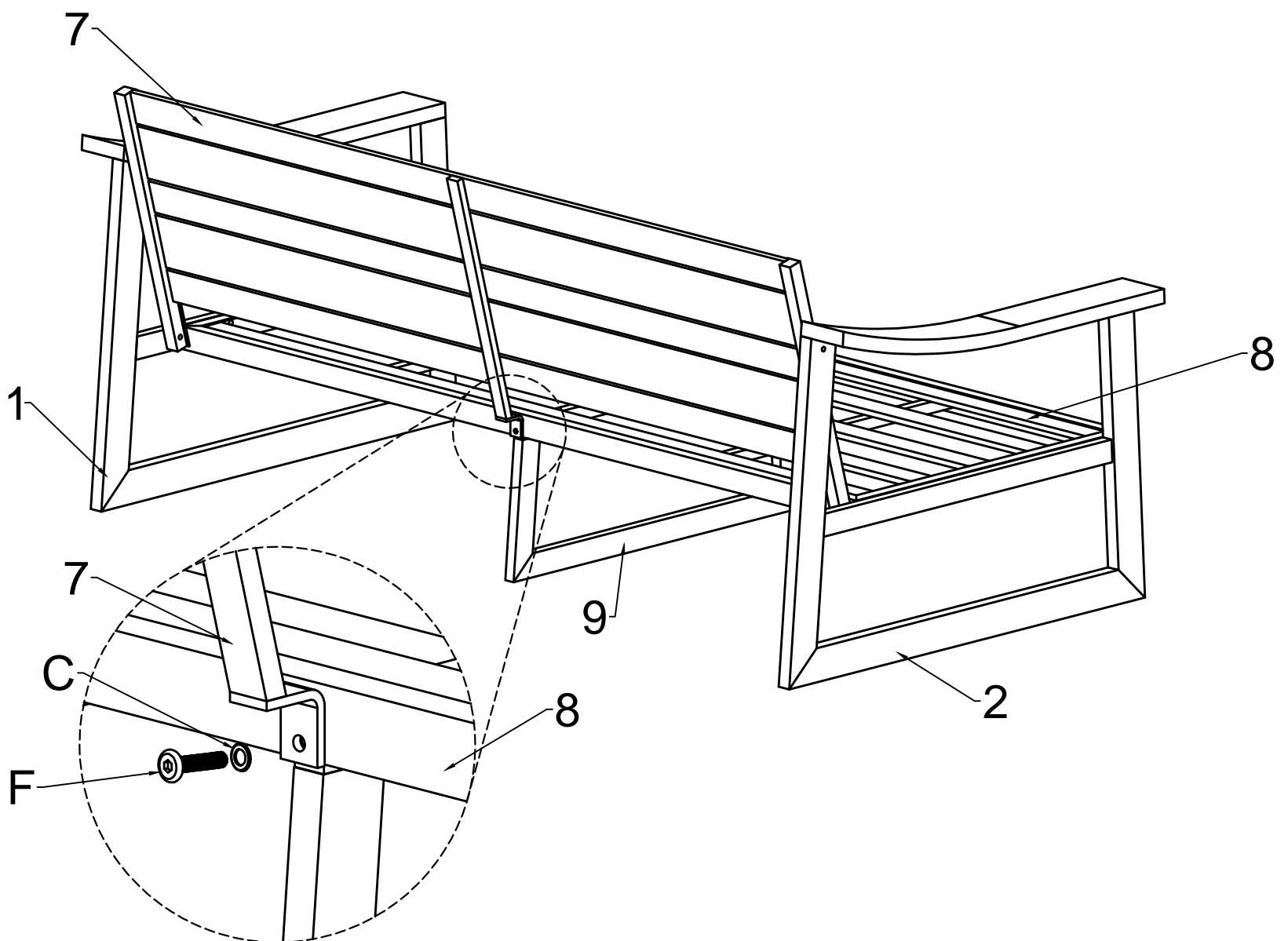


# Step 4:

## ITEMS REQUIRED

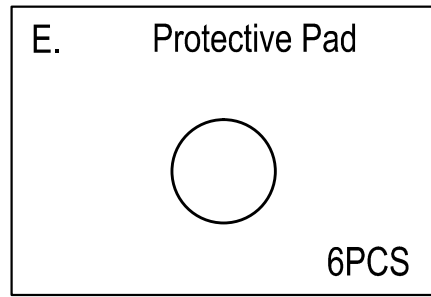
F. Bolt  M6*20*1PC	C. Washer  M6*1PC	D. Allen Key  M6*1PC
---	---	---

- Attach backrest (7) to seat (8) using bolt (F) with washer (C) .
- Insert all bolts before fully tightening with allen key (D).

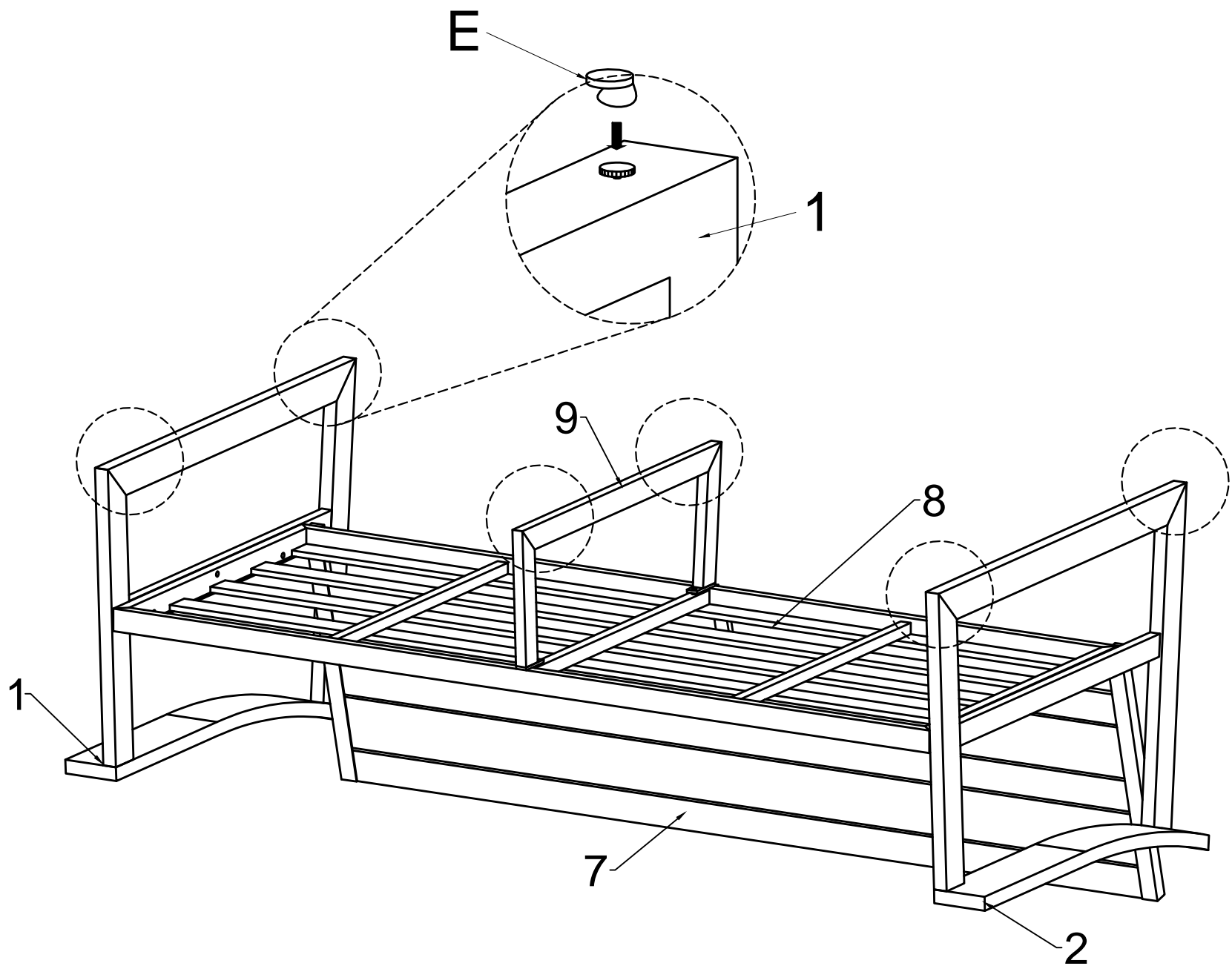


# Step 5:

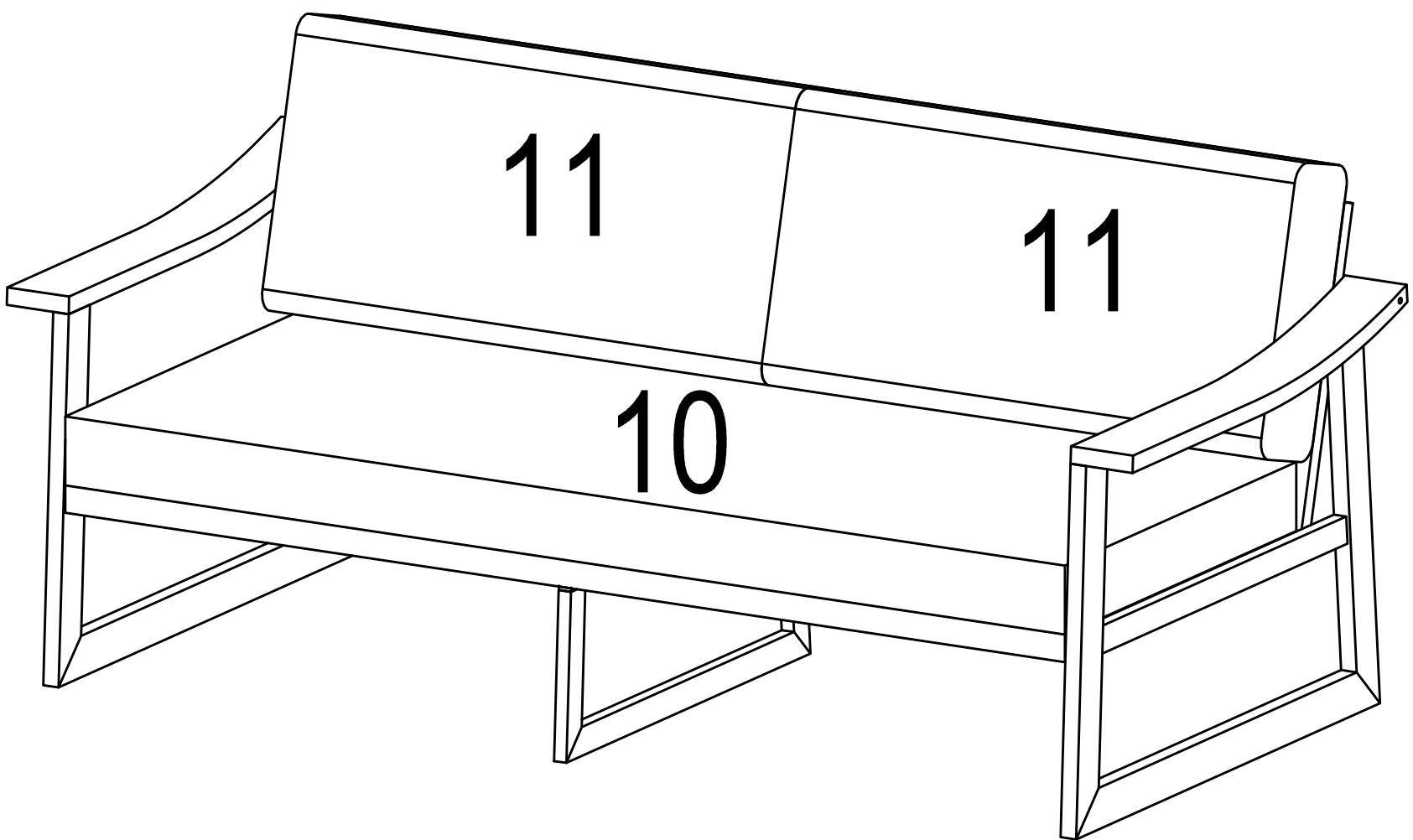
## ITEMS REQUIRED



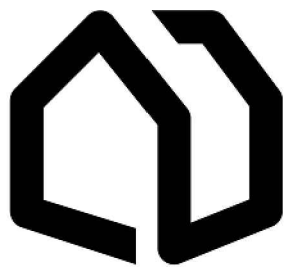
- Last attach the protective pad (E) under the adjusting knob.



**ASSEMBLY IS COMPLETE**





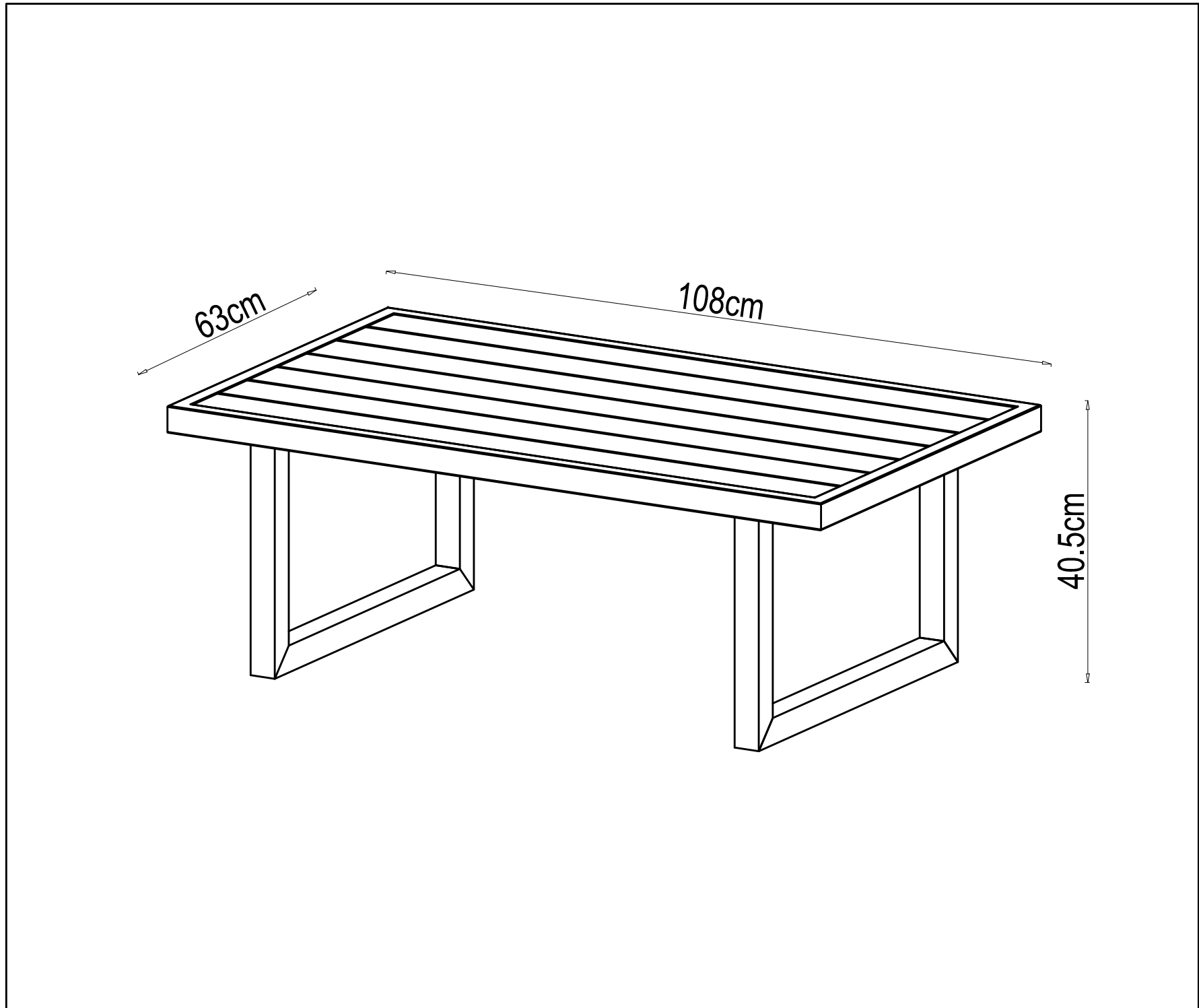


# Amart

ASSEMBLY INSTRUCTION

ZARIAH - 4 PCE OUTDOOR LOUNGE SETTING

ITEM CODE - 72305

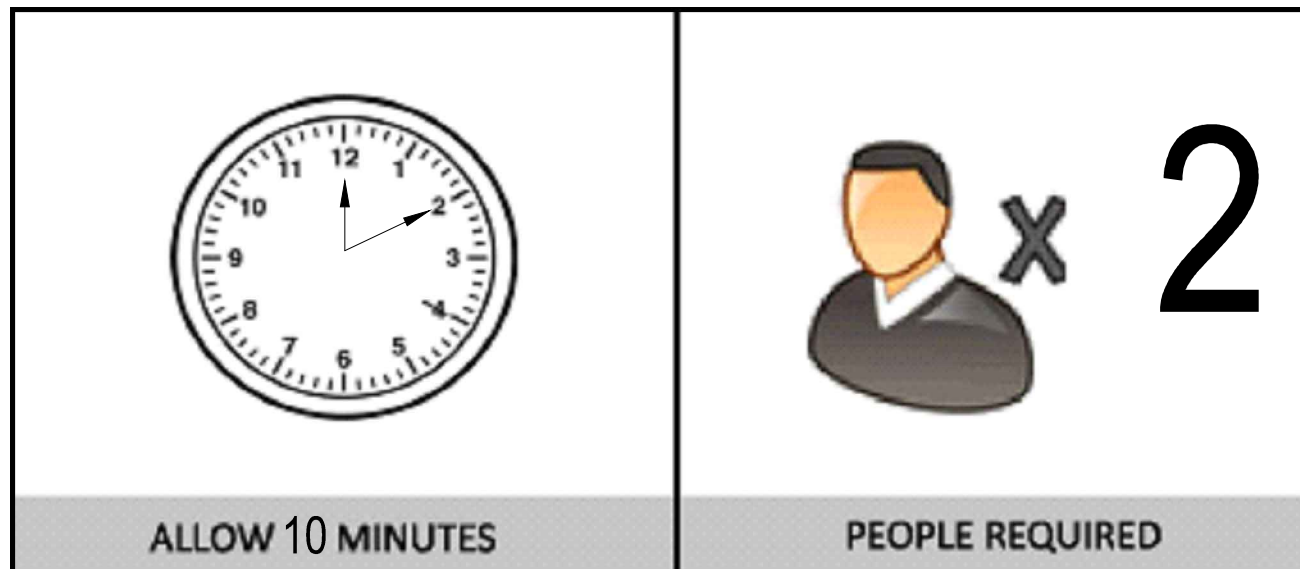


Imported by Amart Furniture Pty Ltd, Qld, Brisbane Australia .  
For any assistance with assembly or for missing parts please phone  
Amart Furniture, Customer Service Freecall 1800 351 084

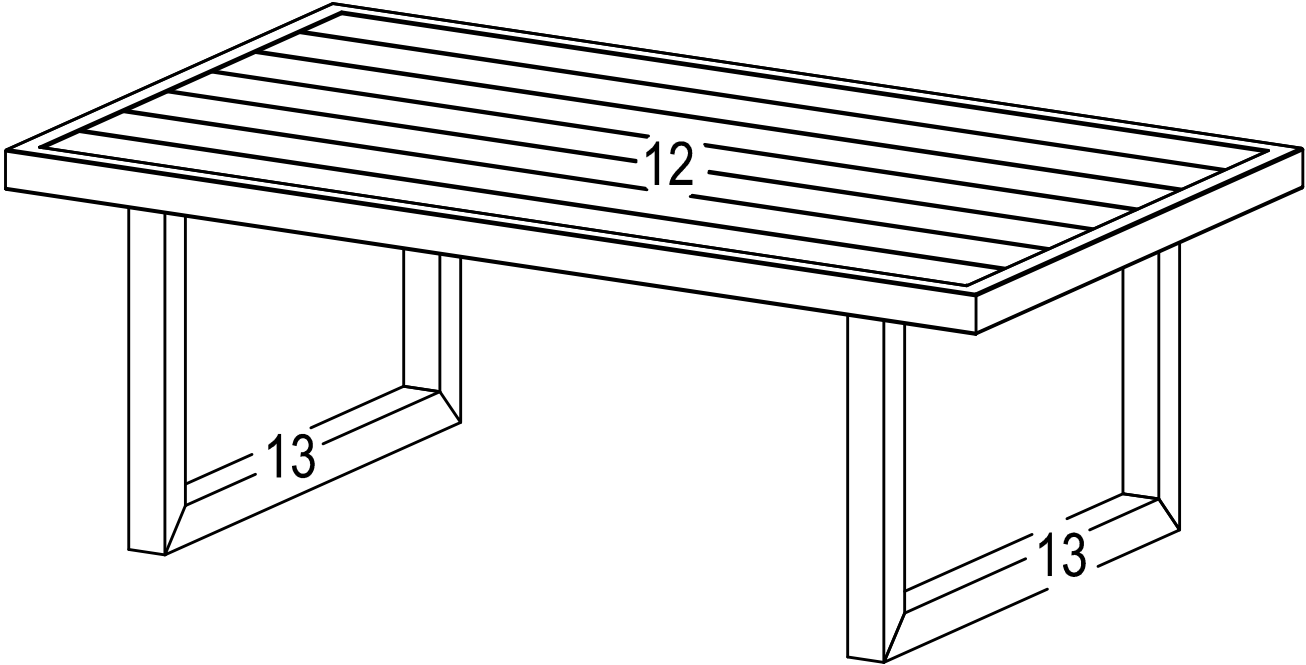
## PRE-ASSEMBLY PREPARATION

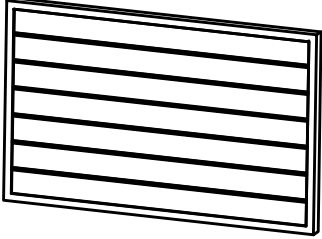
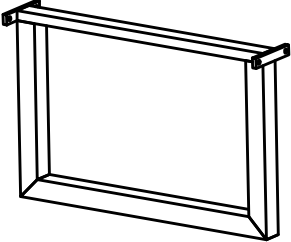
### Before you start:


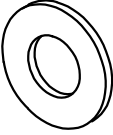
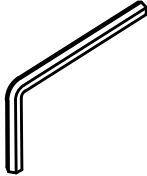
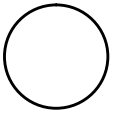
1. Choose a clean, level, spacious assembly area. Avoid hard surfaces that may damage the product.
2. Take care when lifting. Product should be assembled as near as possible to the point of use.
3. Ensure that you have all required contents for complete assembly.
4. Always read the assembly instructions carefully before beginning assembly.
5. Keep all hardware parts and packaging out of reach of small children.
6. Do not over tighten the screws and bolts as this may damage the threads.



# PARTS LIST

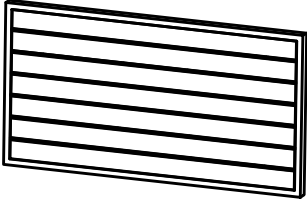
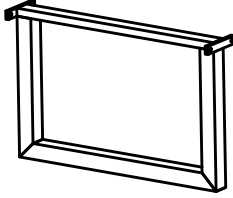

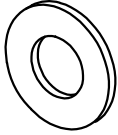
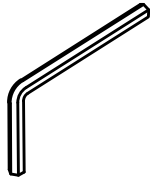


<p>12. Table Top</p>	 <p>1PC</p>	<p>13. Legs</p>	 <p>2PCS</p>
----------------------	--	-----------------	---

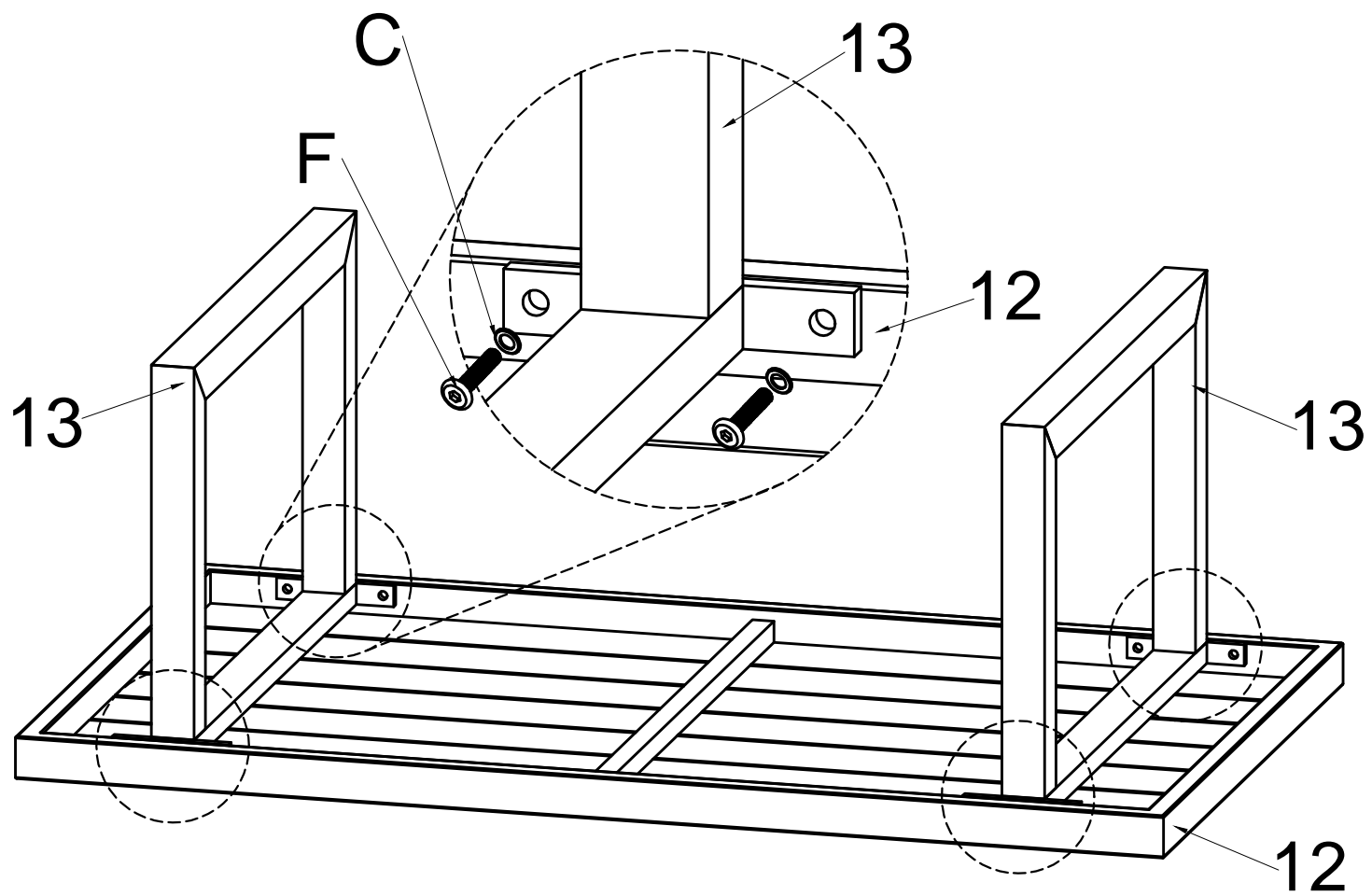
<p>F. Bolt</p>  <p>M6*20*8PCS</p>	<p>C. Washer</p>  <p>M6*8PCS</p>	<p>D. Allen Key</p>  <p>M6*1PC</p>	<p>E. Protective Pad</p>  <p>4PCS</p>
--	---	---	--

# Step 1:

## ITEMS REQUIRED

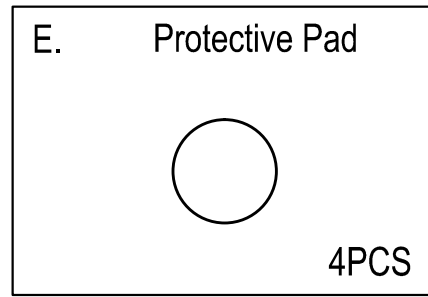
	12. Table Top 1PC 	13. Legs 2PCS 
F. Bolt  M6*20*8PCS	C. Washer  M6*8PCS	D. Allen Key  M6*1PC

- Attach legs (13) to table top (12) using bolt (F) with washer (C) .
- Tighten with allen key (D) .

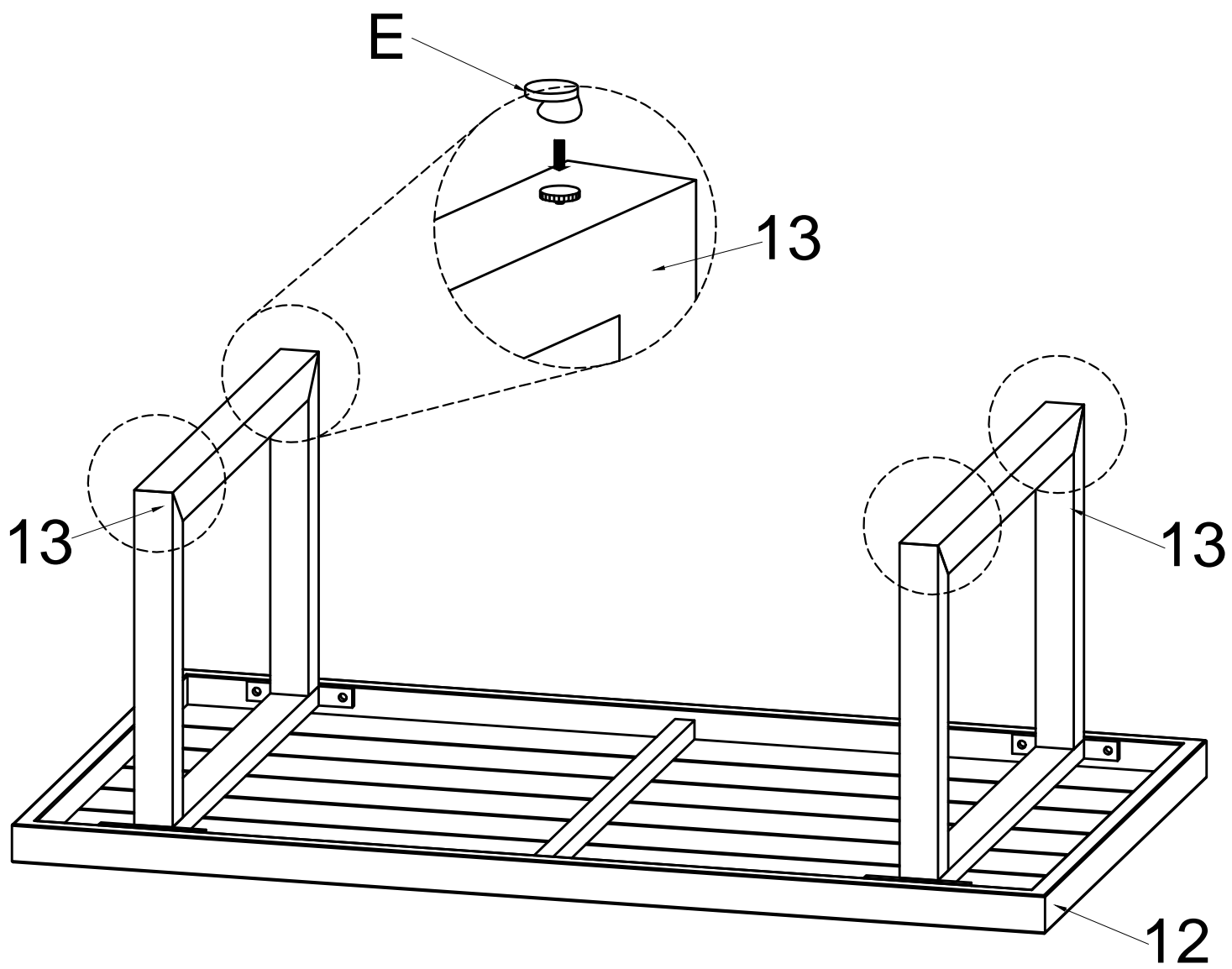


# Step 3:

## ITEMS REQUIRED



- Last attach the protective pad (E) under the adjusting knob.

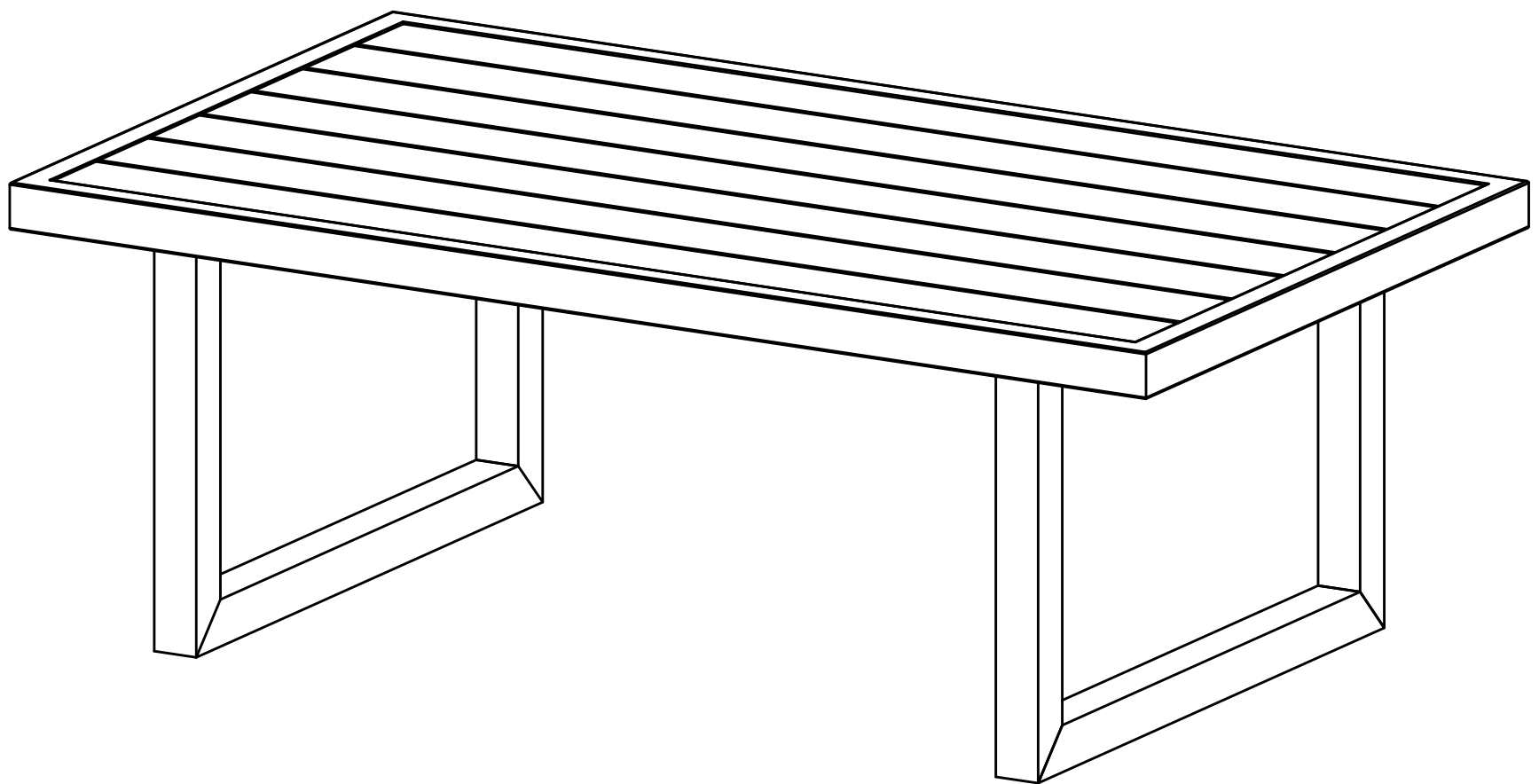


## ASSEMBLY IS COMPLETE

### DO NOT DRAG:

Do not drag the item as this may cause damage to the legs.

Instead, use 2 people to lift carefully and with caution from either end.



# Care and maintenance



---

## Cushions

- ☒ Direct exposure to the Sun's harmful UV rays is likely to cause rapid colour fading to fabrics. For best results we recommend avoiding exposure to direct sunlight
- ☒ To ensure product longevity it is recommended outdoor products are not left permanently exposed to the elements
- ☒ Spot clean using mild detergent and damp cloth. Dry flat in shade
- ☒ Do not unzip
- ☒ Do not put in washing machine
- ☒ Do not tumble dry
- ☒ Do not bleach
- ☒ Do not dry clean
- ☒ Cool iron only

## Aluminium

- ☒ Item is designed for use outdoors. However we do not recommend leaving this product outside when not in use. To preserve the life of this item, avoid prolonged exposure to the elements & store inside/under cover or use an outdoor cover.
- ☒ DO NOT allow the furniture to be left in the rain or left wet for extended periods of time.
- ☒ Wipe furniture Dry immediately after it becoming wet.
- ☒ DO NOT clean your furniture down with any harsh solvents, abrasives or chemicals.
- ☒ To remove dirt and grime, simply rinse with fresh water or periodically clean using a sponge and mild detergent solution as required